



Multi-Roller

Operator's Manual



+44 (0)113 267 7000



Email: info@greentek.uk.com


Website: www.greentek.uk.com

GreenTek Ltd | Rudgate | Walton | Leeds | LS23 7AU | UK

Certificate of CE Conformity

Date: 10 February 2003
Machine Model: Multi-Roller
Description: Tractor Mounted Roller
Serial Number:

I hereby certify that the machine detailed hereon conforms
to European Directives 89/392EEC as amended
91/368EEC – 93/44EEC – 93/68EEC.

Signed:.....

(Quality Manager)

Multi-Roller Operator's Instructions

Introduction

Congratulations on purchasing the Multi-Roller. This British designed and manufactured product has been engineered to give years of use, provided it is used and maintained correctly.

As with all tractor mounted equipment, it is essential that all operators read and follow these instructions in order to use the Multi-Roller safely without endangering themselves or other persons.

Machinery Markings

Your machine carries the following information. Please quote your serial number when ordering spare parts.

CE GreenTek	
Manor Farm, Otley Road, Leeds, LS16 7AL, UK Telephone: 0113 267 6000	
YEAR <input type="text"/>	WEIGHT AS SUPPLIED <input type="text"/> Kg
MODEL <input type="text"/>	SERIAL No <input type="text"/>
INSPECTED BY <input type="text"/>	

Application

The Multi-Roller is a unique dual-purpose roller which can be used either with the wing rollers folded out for light rolling of large areas such as sports fields and golf course fairways, or with all the rollers mounted together on the centre frame for more intensive rolling.

This equipment is designed solely for rolling sports and amenity turf. Use in any other way is contrary to the intended use.

The manufacturer accepts no liability for damage or injury resulting from misuse. Compliance with the instructions in this manual is essential for safe operation.

Safety Warnings

General

This turf maintenance system is designed to be operated by a tractor of not less than 17HP with a hydraulic lifting capacity of at least 450kg. Front weights may also be necessary when operating this machine.

All operators must also read and follow all instructions in the operators' handbook supplied with the tractor.

Before Starting the Tractor Engine

Check that the brakes are applied, drives are in neutral, guards are in position and intact and bystanders are clear of the machine. Do not run the engine in a building without adequate ventilation.

Operating the Machine

Always wear suitable protective clothing (eg, gloves and steel toecap footwear), when operating sharp or heavy machinery.

Before moving the machine, check to ensure that all the parts are in good working order, paying particular attention to tyres, steering, brakes and lights. Double check that the attachment is fitted securely to the tractor 3 point linkage.

Always observe the Highway Code both on and off the roads. Keep alert and aware at all times. Remember that some people are deaf or blind; that children and animals can be unpredictable. Keep travelling speeds low enough for an emergency stop to be effective and safe at all times.

Take special care when reversing and ensure that the area behind is clear of obstructions. remove or avoid obstructions in the working area.

Leaving the Driving Seat

Park the tractor on level ground. Before leaving the driving seat, stop the engine and make sure all moving parts are stationary. Apply brakes and disengage all drives. Remove the ignition key.

Slopes

Take extra care when working on slopes.

Local undulations and sinkage will change the general slope. Avoid ground conditions which will cause the tractor to slide or roll over. Apply brakes before disengaging tractor gears. Keep the tractor completely under control when disengaging traction clutch. Remember that the extra weight of the attachment will affect the balance and stability of your tractor.

Inspect all components and hydraulic hoses for damage before using. Do not use with faulty components.

Switch off tractor engine, operate spools to release hydraulic pressure before connecting or disconnecting hoses. Never work on machine with tractor running or unreleased pressure in the hydraulic system.

Never operate the machine near bystanders.

WARNING: Rollers fold out to 5.4m.

Removing the Attachment from the Tractor

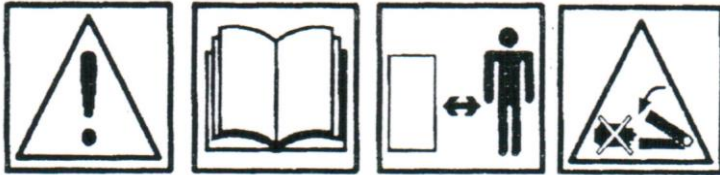
Lock down all of the drop legs **BEFORE** uncoupling the attachment from the 3 point linkage.

REMEMBER:

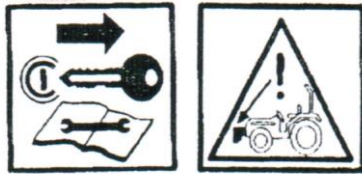
IT IS THE OPERATOR'S RESPONSIBILITY TO ALWAYS ENSURE THAT THIS MACHINE IS IN SAFE WORKING ORDER BEFORE USE AND THAT CONDITIONS ARE SUITABLE FOR IT TO BE USED WITHOUT ENDANGERING THE OPERATOR OR OTHERS.

Warning Decals

The following decals are affixed to your Greens Groomer which must be obeyed at all times. replacement decals are available free of charge from the manufacturers.



All Models



Tractor Mounted

WARNING

**IT IS THE OPERATORS
RESPONSIBILITY TO ALWAYS
ENSURE THAT THIS MACHINE IS
IN SAFE WORKING ORDER BEFORE
USE AND THAT CONDITIONS ARE
SUITABLE FOR IT TO BE USED
WITHOUT ENDANGERING THE
OPERATOR OR OTHERS**

All Models

Operating Instructions

Fitting to Tractor

The Multi-Roller is intended to be used with 4WD compact tractors. It is essential that the operators follow all safety procedures set out in the tractors operators' manual.

The Multi-Roller simply attaches to any Category 1 3 point linkage by means of conventional top and bottom link pins. Tighten anti-sway chains and lock the 3 stand legs into their raised position. Ensure that the linkage is adjusted correctly so that the Multi-Roller centre frame hangs level from side to side. Adjust the top link so that the centre post to which it attaches is vertical when in operation.

Using the Multi-Roller

Connect the hydraulic pipes to the tractor (1 double-acting spool valve is required). For light wide rolling operate the hydraulic spool gently and the 2 wing arms will fold out. Hold the valve open until the hydraulic rams are fully extended.

Operate the valve in the other direction to fold in the rollers for intensive rolling or transport.

WARNING: Do not operate or fold out rollers without checking for obstacles. Keep bystanders at least 5m away.

Uncoupling the Multi-Roller

To uncouple the Multi-Roller from the tractor first lift the 3 point linkage, then fully lower and securely lock down all three drop legs. Then lower the mainframe and uncouple from the tractor.

NEVER UNCOUPLE THE MULTI-ROLLER FROM THE TRACTOR UNLESS ALL THREE DROP LEGS ARE SECURELY LOCKED DOWN.

After Use/Maintenance

Pressure wash all debris off the rollers after each time of use. Apply a small amount of grease to the sloping ramp. Grease all nipples weekly.

Lock the 3 stand legs in their lower position before uncoupling the Multi-Roller from the tractor, and always store in this position. Check condition of hydraulic hoses and couplings regularly, and replace any damaged components.

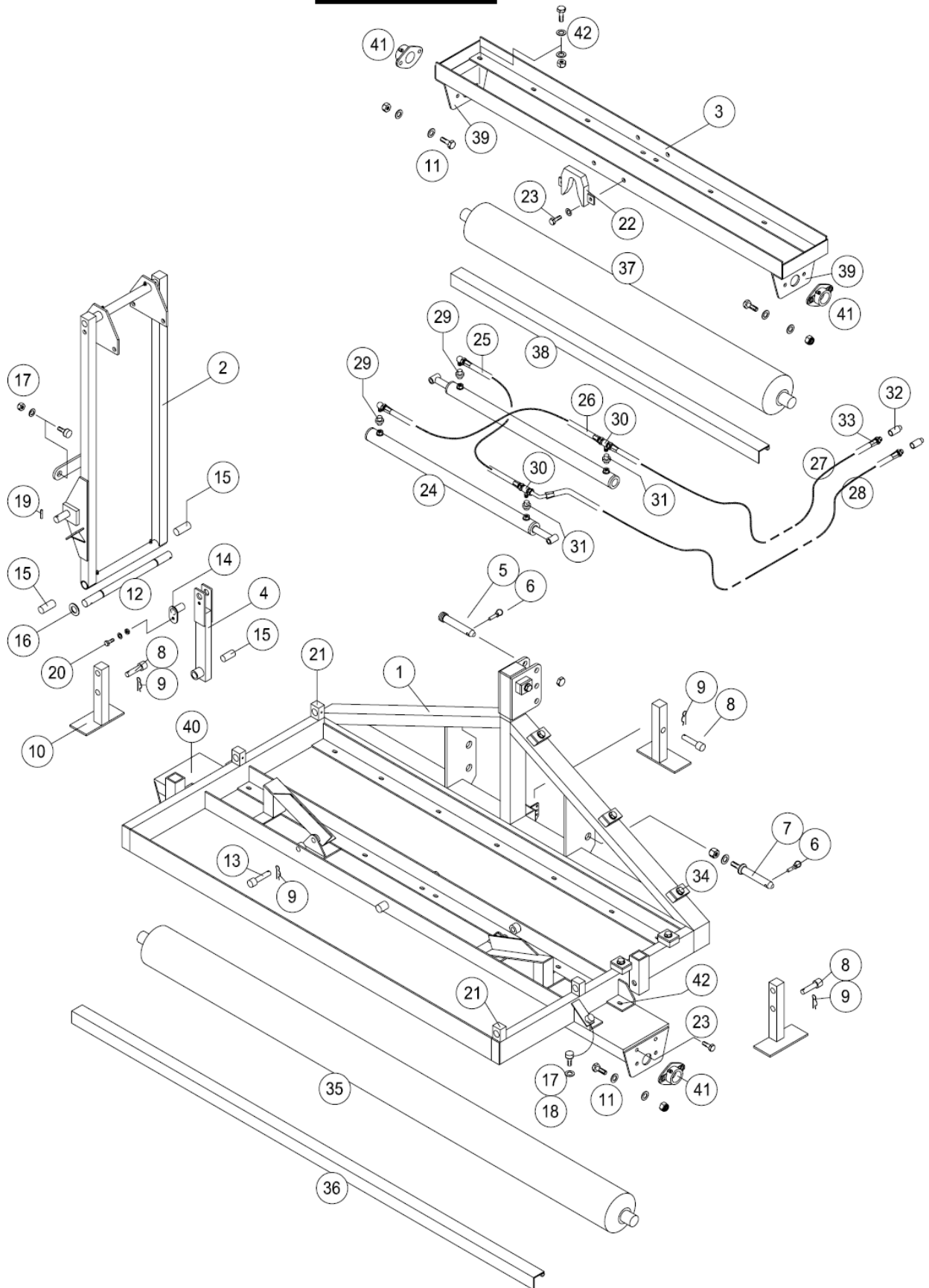
Guarantee

We guarantee that should any defect in materials or workmanship occur within 24 months of purchase, we will repair or, at our option, replace the defective parts free of charge provided that the fault is reported to us immediately it becomes apparent.

Damage caused by normal wear, misuse or in transit is not covered by this guarantee.

GreenTek

Multi Roll Issue 1



PARTS LISTING FOR HYDRAULIC MULTI ROLLER

Item	Description	Qty	Part No
1	MAIN FRAME	1	HMR 001
2	WING ARM	2	HMR 002
3	WING FRAME	2	HMR 003
4	RAM LINK YOKE	2	HMR 008
5	TOP LINK PIN	1	HMR 005c
6	LYNCH PIN	3	HMR 006c
7	LOWER LINK PIN	2	HMR 007c
8	SUPPORT LEG PIN	3	HMR 004c
9	R-clip	5	HMR 010c
10	SUPPORT LEG	3	HMR 009c
11	BEARING MOUNTING BOLT	12	HMR 011
12	WING ARM PIVOT PIN	2	HMR 012c
13	HYD RAM MOUNT PIN	2	HMR 013c
14	UPPER ANCHOR PIN	2	HMR 014c
15	BUSHING	6	HMR 015c
16	THRUST WASHER	2	HMR 016c
17	RUBBER CUSHION ASSY	4	HMR 017
18	SHIM WASHER	4	HMR 018
19	TENSION PIN	2	HMR 019c
20	PIN RETAINING BOLT	2	HMR 020c
21	SET SCREW HEX HEAD	2	HMR 021c
22	ANTI SWAY BLOCK	2	HMR 022c
23	WING FRAME MOUNT BLT	8	HMR 023c
24	HYD RAM	2	HMR 024c
25	HYD PIPE	1	HMR 025c
26	HYD PIPE	1	HMR 026c
27	HYD PIPE	1	HMR 027c
28	HYD PIPE	1	HMR 028c
29	ADAPTOR	2	HMR 029c
30	TEE ADAPTOR	2	HMR 030c

PARTS LISTING FOR HYDRAULIC MULTI ROLLER

Item	Description	Qty	Part No
31	ADAPTOR	2	HMR 031c
32	Q/R COUPLING	2	HMR 032c
33	ADAPTOR	2	HMR 033c
34	PIPE CLAMP ASSY	7	HMR 034c
35	ROLLER (LONG)	1	HMR 035
36	SCRAPER (LONG)	1	HMR 036
37	ROLLER (SHORT)	2	HMR 037
38	SCRAPER (SHORT)	2	HMR 038
39	SHORT ROLLER MOUNT BKT	4	HMR 039
40	LONG ROLLER MOUNT BKT	2	HMR 040
41	SUPPORT BRG	6	HMR 041
42	ROLLER BKT MOUNT bolt assy	16	HMR 042
43			
44			
45			
46	Hose kit inc items 25-34	1	
47			
48			
49			
50			
51			
52			
53			
54			
55			
56			
57			
58			
59			
60			

Notes

+44 (0)113 267 7000

GreenTek™

Email: info@greentek.uk.com

Website: www.greentek.uk.com

GreenTek Ltd | Rudgate | Walton | Leeds | LS23 7AU | UK