

GreenTek

Dyna-Seeder GT 410.051/412. 051

SERIAL No:



NOTE:

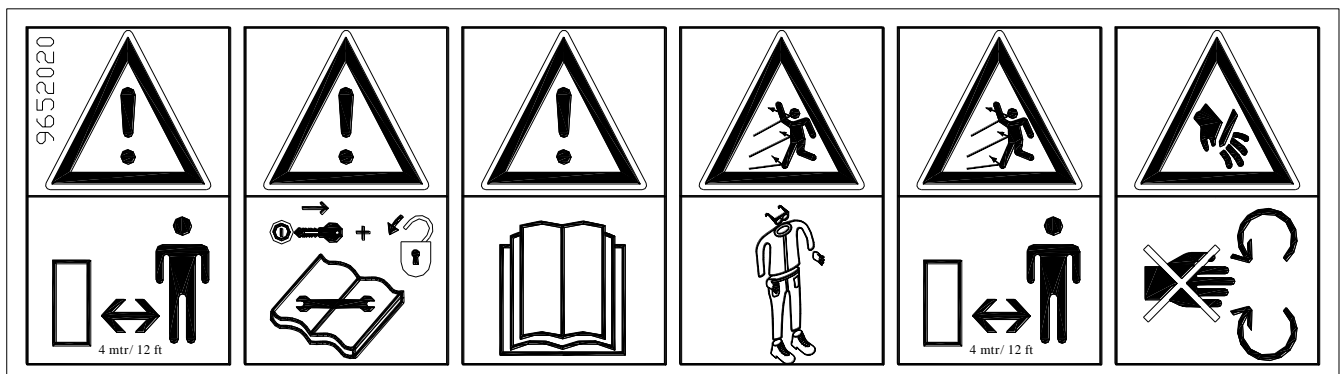
For safe operation it is essential that the operator reads and understands this manual for the Dyna-Seeders.

**GreenTek, Manor Farm, Otley Road, Leeds, LS16 7AL
Tel: 0113 267 7000 Fax: 0113 267 2222 www.greentek.org.uk**

Dyna-Seeder

SAFETY INSTRUCTIONS.

1. Never **disconnect or shortcut any of the safety devices.**
2. Every **user must be fully informed** and understand the safe use of this machine.
3. **Inspect the ground**, where the Dyna-Seeders are to be used. Remove loose obstacles, and avoid uneven areas.
4. **Drive carefully** during work and during transport.
5. Ensure that **other people are standing at least 4 mtr./ 12 ft away** from the machine during work and transportation.
6. **Use appropriate clothing.** Wear strong shoes with steel toe caps, long trousers, gloves, tie up long hair and use protective glasses for your eyes.
7. **Never overload** the Dyna-Seeders.
8. **Check the Dyna-Seeders at least once a week**, to ensure there are no loose bolts and nuts. Check for any damage, and maintain as needed.
9. The Dyna-Seeders **must never be used without protective guards in place** and safety decals.
10. **Use only original DYNA-SEEDERS spare parts**, in order to ensure the safe operation of the machine.
11. **Never use the Dyna-Seeders** in the dark, in heavy rains, on frozen grounds, stony conditions and/ or on slopes steeper than 30 degrees.
12. **Maintain a log book** of repairs
13. Be aware that **changes to the Dyna-Seeders** releases GreenTek from any CE obligations.
14. **Wear certified ear protection** if the machine is used for more than 2 hours.



FOREWORD

Congratulations on the purchase of your Dyna-Seeder units. To ensure the safe and long lasting operation of these machines, you and anyone using them should read and understand this user's manual.

Also ensure that you understand and practice the safety rules, as described in this manual.

This machinery is guaranteed against material and assembly errors. This guarantee applies for a period of 12 months, as from the date of purchase.

IMPORTANT

The required hydraulic power depends on the working depth, soil conditions, working speed etc. The ambient temperature and the greens mower condition determine the available capacity of the greensmower. **The driver must monitor and control the greensmower during work to prevent overloading.**

Greentek does not take any liability for damage caused to greensmowers through inappropriate use.

TECHNICAL SPECIFICATIONS

Model	: GT 410 (fine seed) GT 412 (normal seed) REV 051
Working width	: 520 mm/ 21" per head
Working depth	: 7-15 mm/ 0.28- 0.60".
Hole spacing	: 20 x 45 mm/ 0.80 x 1.77"
Driving speed	: 0.5- 4.8 km/h / 0.3- 3 mph
Dosing rate	: Fescue: 0.17-1.00 kg/100 m ² /0.03- 0.20 lbs/sqft : Penn: 0.38- 1.45 kg/100m ² / 0.07 – 0.30 lbs/sqft
Weight	: 64 Kg/ 140 lbs per head.
Overall Dimensions	: 72 x 44 x 24 cm / 29 x 18 x 10"

OPERATING TIPS

1. Do not use the Dyna-Seeder units in wet conditions. The seed funnels may clog.
2. You can check the dosing yourself. 10.5 revs of the front roller matches 1 sq mtr. (or 9.4 revs matches 10 sq feet). Measure the weight of seed and you know the dosing per sq. mtr. or per 10 sq. ft.
3. Clean the unit regularly with compressed air. If necessary, wash off with a low pressure hose pipe, and dry off thoroughly with compressed air. **DO NOT USE A PRESSURE WASHER ON THEM AT ANY TIME.**
4. The guide shoes around the spiker disks should be kept aligned sideways so that the spikers are running in the centre of the slots.
5. The Dyna-Seeder units may be used to apply fertilizer, provided it can be fed through the dosing shaft. **CLEAN THE UNIT THOROUGHLY WITH COMPRESSED AIR IMMEDIATELY AFTER USE.**
6. Operate at around half throttle until you are familiar with the operation and the effect on the turf. Then adjust rpm to suit requirements.
7. If the holes are not deep enough, slow down on driving speed and/ or increase the engine rpm's, so that the vibrations per spike increases.
8. The spare gear wheels may be taken off the machine and stored elsewhere if you wish.
9. Be careful when lowering the units onto a hard (concrete) floor. **ALWAYS USE THE PROPER STORAGE TROLLEYS TO STORE YOUR UNITS WHEN NOT IN USE.** Otherwise, damage to the heads may occur.
10. Check bolts and nuts regularly.

ADJUSTMENTS

Rear roller depth setting holes C

Depth setting adjustment for rear brush D

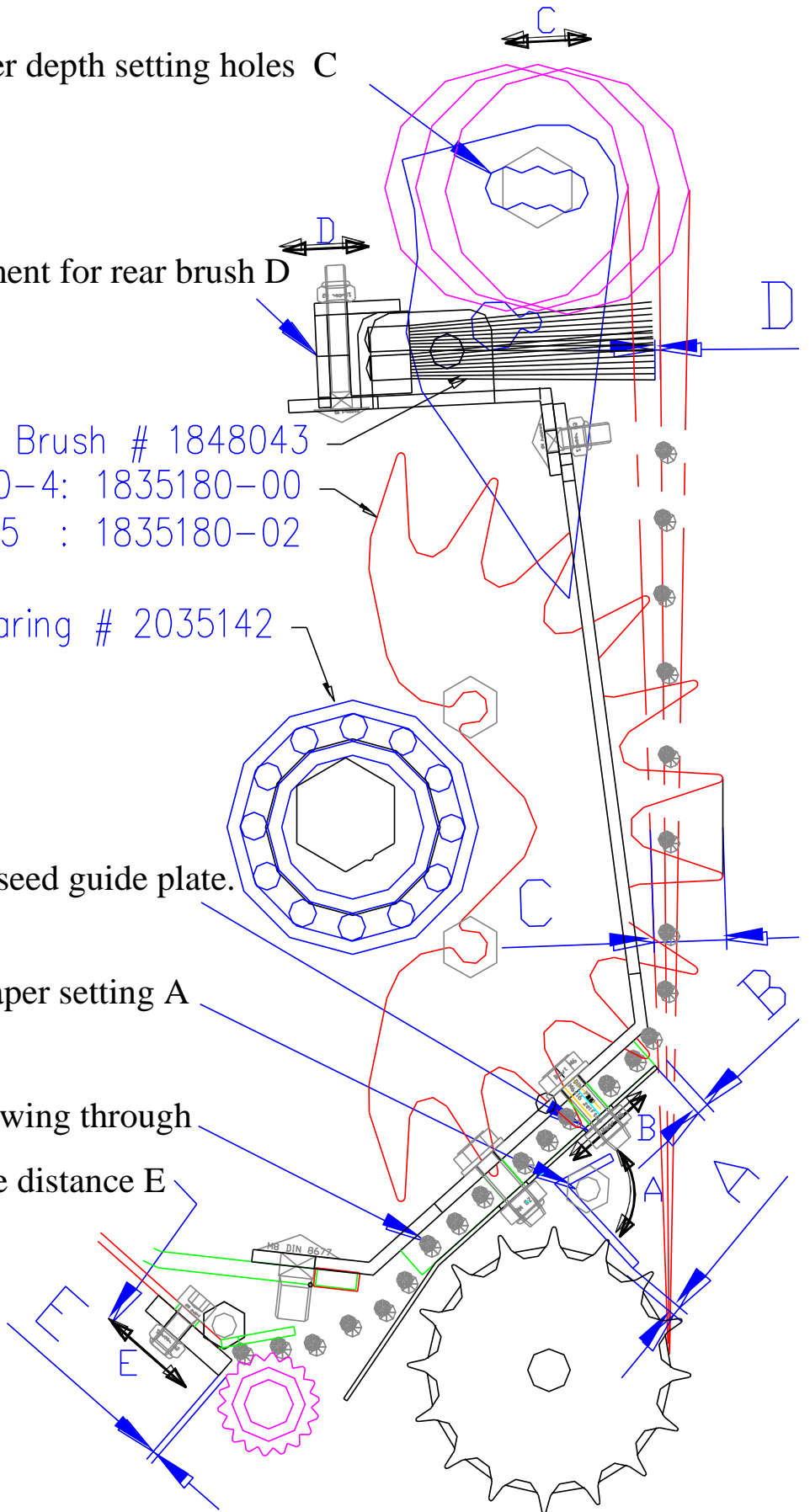
Brush # 1848043
Spike REV 0-4: 1835180-00
Spike REV 5 : 1835180-02

Bearing # 2035142

Position B setting of seed guide plate.

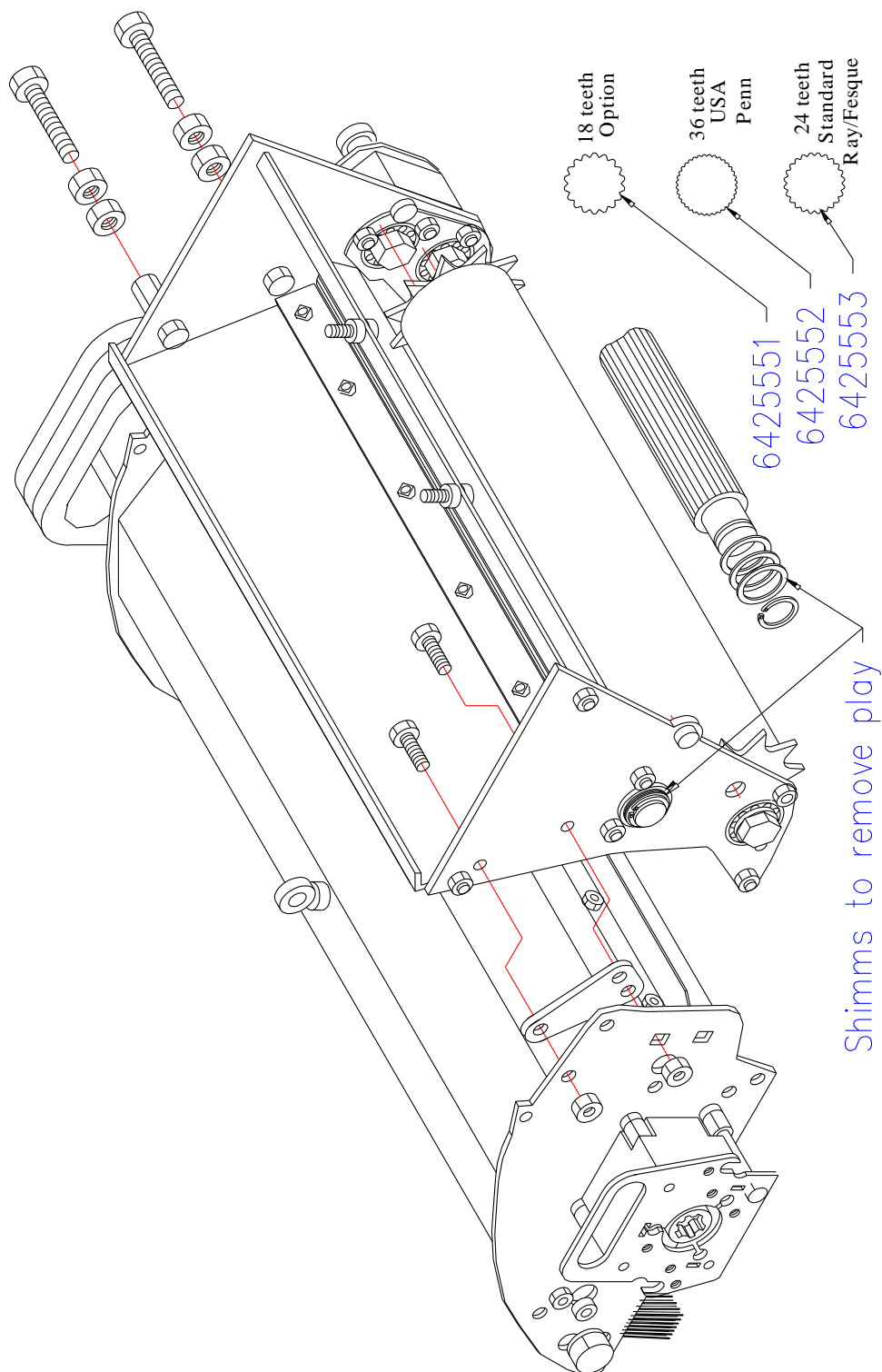
Front roller scraper setting A

Seed flowing through
Setting the distance E



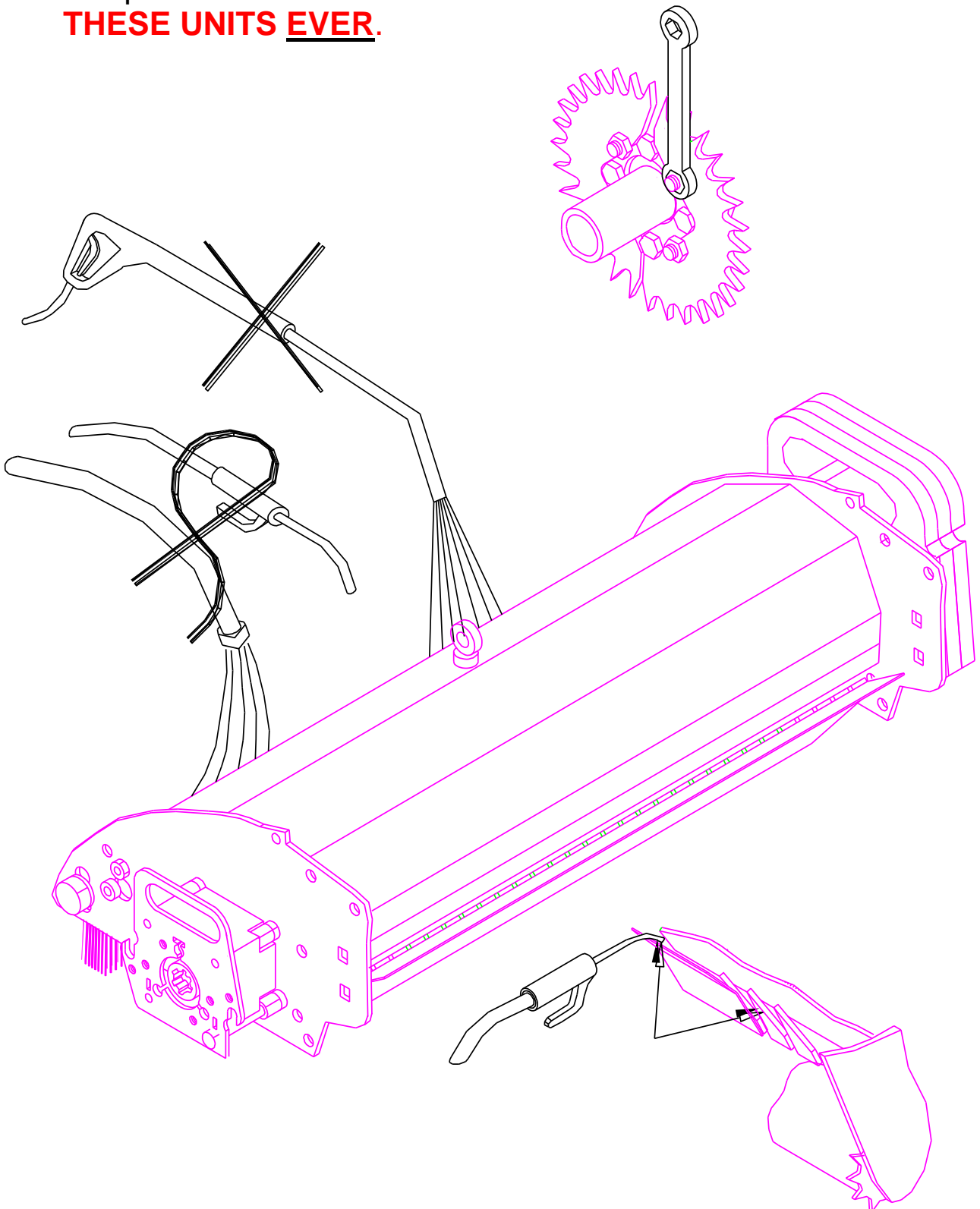
CHANGING THE DOSING SHAFT

Several dosing shafts are available. For the dosing rates, see the dosing table. To change the shaft, first remove the seed box by removing 4 bolts (see the figure below). When the secure washer is removed, the dosing shaft can be removed. Replace it and remove any axial clearance by using shim washers behind the secure washer.



MAINTENANCE

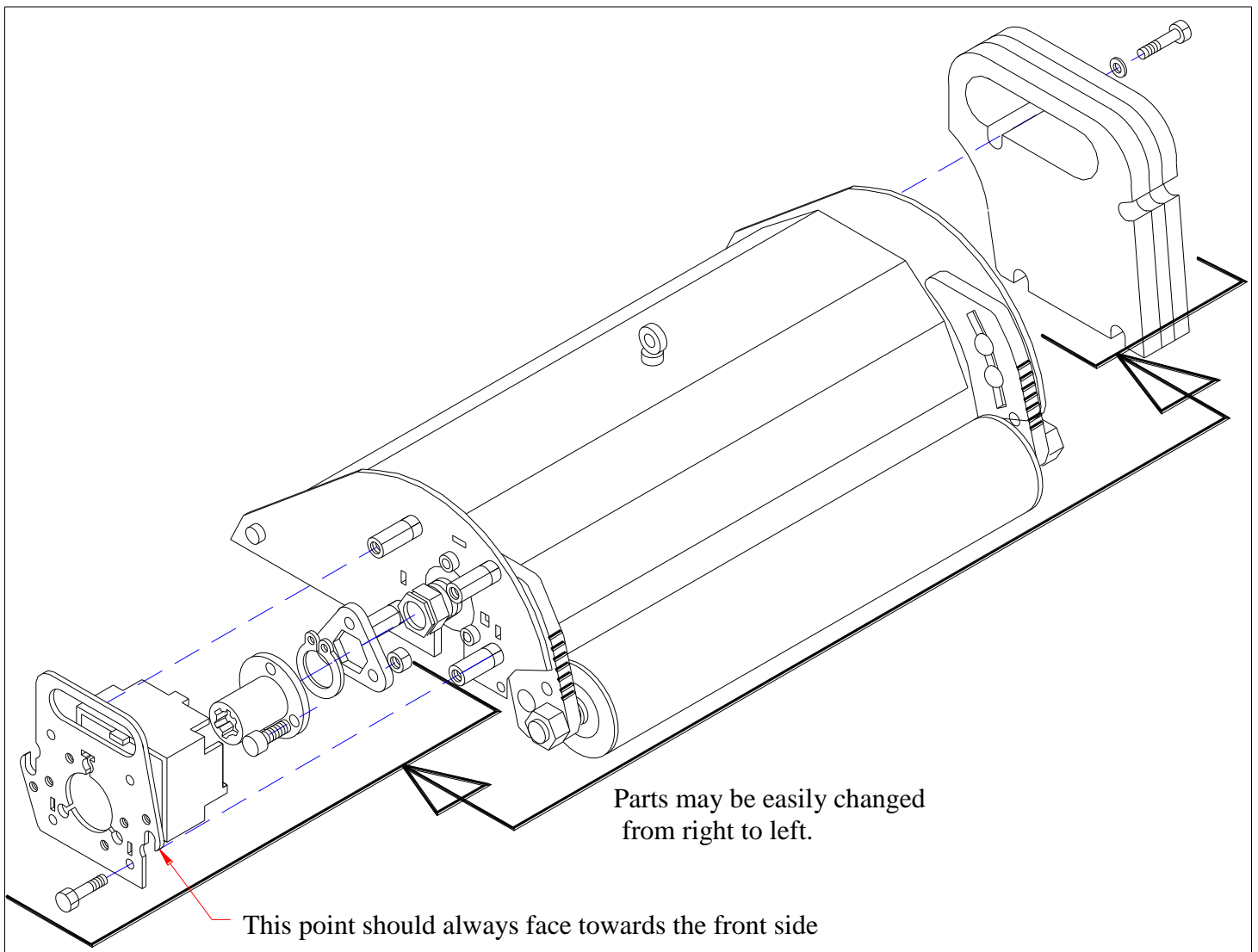
1. Check tightness of all bolts and nuts on each occasion of use.
2. Clean out seed funnels after each use with compressed air.
3. Clean off units using compressed air. If necessary, use a low pressure hosepipe but do not direct it into the roller bearings or spiker shaft bearings. Blow off all water afterwards with compressed air. **DO NOT USE A PRESSURE WASHER ON THESE UNITS EVER.**



INITIAL SETUP:

The units are delivered as a standard Right Hand driven base unit. A fitting kit is added to mount the unit to specific models of greensmowers, see the instructions supplied with the parts kit itself. It may also be necessary to change the drive side of one unit, depending on the greensmower model. Change from Right to Left Hand Drive as follows:

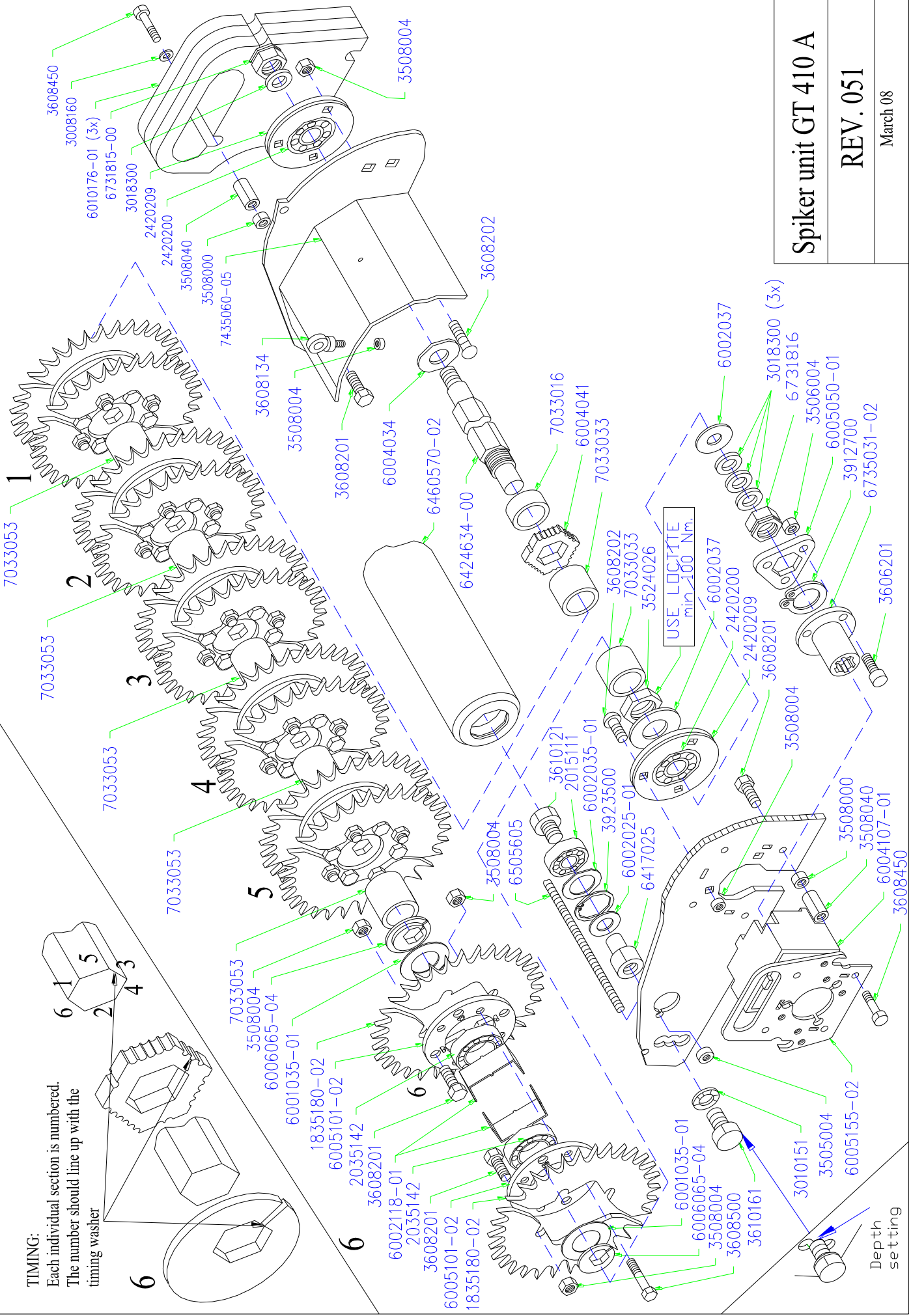
CHANGING THE DRIVE SIDE:



Spiker unit GT 410 A

REV. 051

March 08

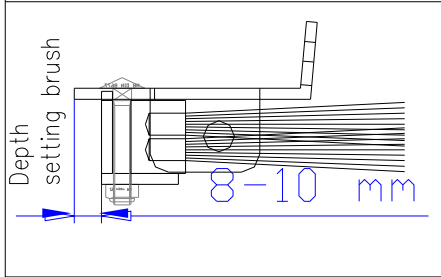


TIMING:
 Each individual section is numbered.
 The number should line up with the
 timing washer

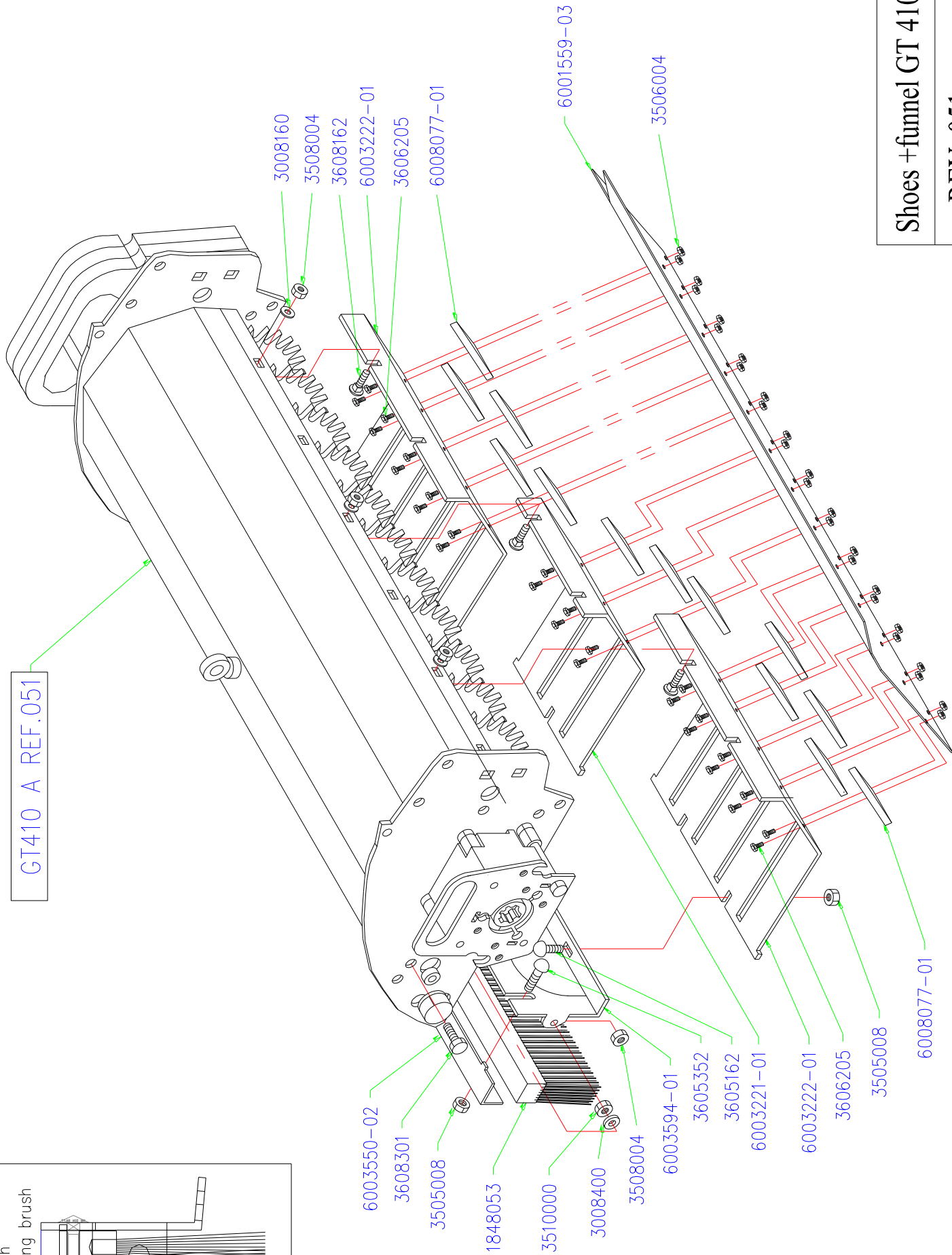
USE LOCTITE
 mic 100 Nm

Depth
 setting

- 3608450
- 3008160
- 6010176-01 (3x)
- 6731815-00
- 3018300
- 2420209
- 2420200
- 3508040
- 3508000
- 7435060-05
- 3608134
- 3508004
- 3608201
- 6004034
- 6460570-02
- 6424634-00
- 7033016
- 6004041
- 7033033
- 3608202
- 7033033
- 3524026
- 6002037
- 6002037
- 2420200
- 2420209
- 3608201
- 3508004
- 3018300 (3x)
- 6731816
- 3506004
- 6005050-01
- 3912700
- 6735031-02
- 3606201
- 7033053
- 7033053
- 7033053
- 7033053
- 7033053
- 7033053
- 7033053
- 3610121
- 2015111
- 6002035-01
- 3923500
- 6002025-01
- 6417025
- 3508004
- 6505605
- 3508004
- 6001035-01
- 6006065-04
- 6001035-01
- 1835180-02
- 6005101-02
- 2035142
- 3608201
- 6002118-01
- 2035142
- 3608201
- 6005101-02
- 1835180-02
- 6001035-01
- 6006065-04
- 3508004
- 3608500
- 3610161
- 6001035-01
- 6006065-04
- 3508004
- 3010151
- 3505004
- 6005155-02
- 3508000
- 3508040
- 6004107-01
- 3608450



GT410 A REF.051

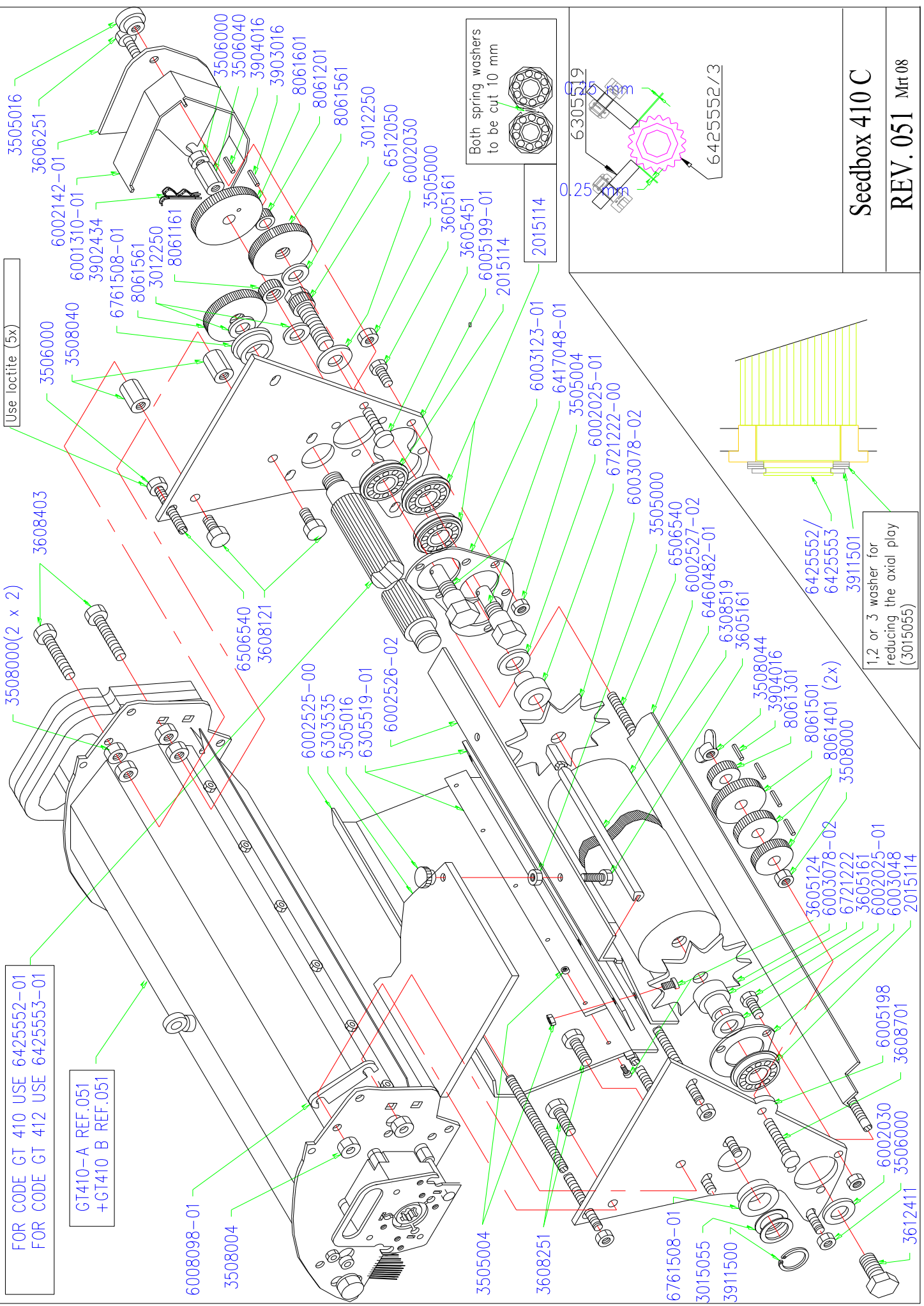


Shoes +funnel GT 410 B
REV. 051 March 08

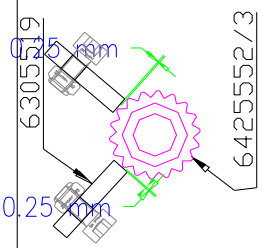
FOR CODE GT 410 USE 6425552-01
 FOR CODE GT 412 USE 6425553-01

GT410-A REF.051
 +GT410 B REF.051

Use loctite (5x)

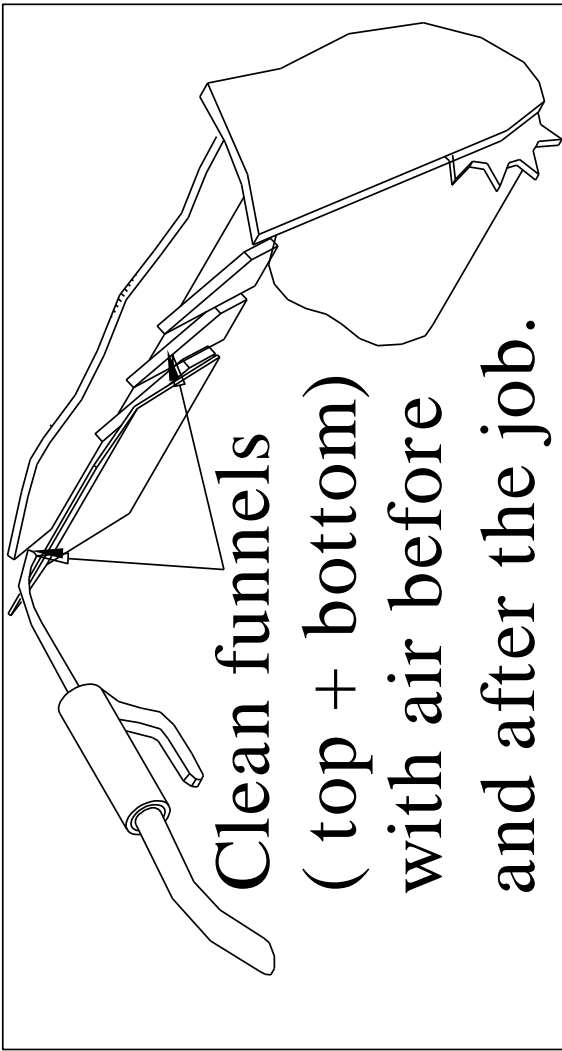


Both spring washers
 to be cut 10 mm

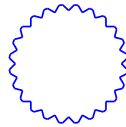


Seedbox 410 C

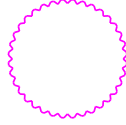
REV. 051 Mrt 08



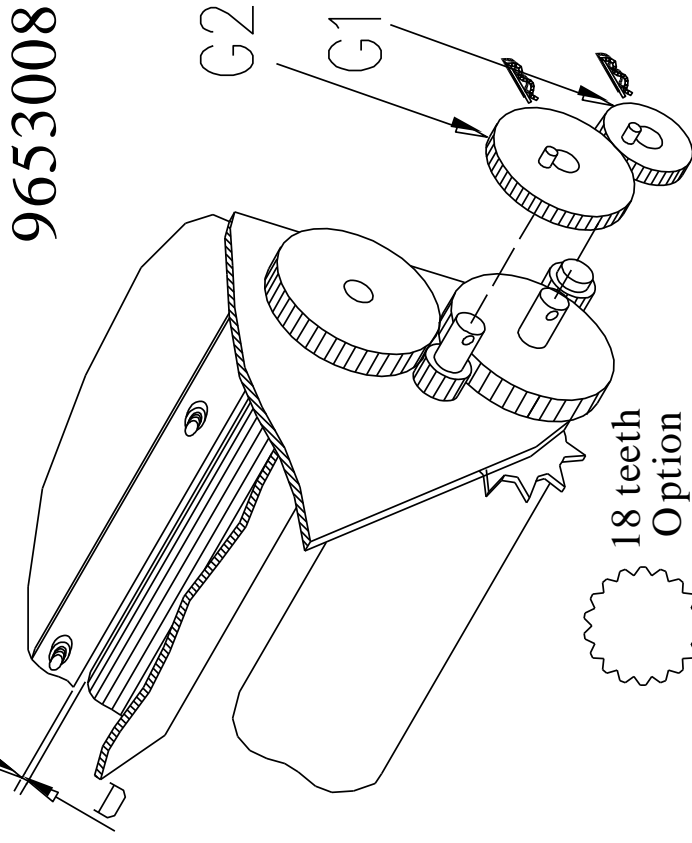
Clean funnels
(top + bottom)
with air before
and after the job.



24 teeth
Standard



36 teeth
USA



18 teeth
Option

9653008

24 teeth, D=0.5 mm/ 0.02"		Fescue/Ray		Penn	
		Kg/ 100 m ²	Lbs/ 100 sqft	Kg/ 100 m ²	Lbs/ 100 sqft
G1	G2				
20	60	0.17	0.03	0.50	0.10
30	50	0.36	0.07	1.10	0.23
40	40	0.48	0.10	1.50	0.31
50	30	0.70	0.14	1.95	0.40

36 teeth, D=0.1 mm/ 0.004"		Fescue/Ray		Penn	
		Kg/ 100 m ²	Lbs/ 100 sqft	Kg/ 100 m ²	Lbs/ 100 sqft
G1	G2				
20	60	-	-	0.38	0.07
30	50	-	-	0.80	0.16
40	40	-	-	1.10	0.23
50	30	-	-	1.45	0.30

18 teeth, D=0.5 mm/ 0.02"		Fescue/Ray		Penn	
		Kg/ 100 m ²	Lbs/ 100 sqft	Kg/ 100 m ²	Lbs/ 100 sqft
G1	G2				
20	60	0.22	0.04	0.63	0.13
30	50	0.40	0.08	1.40	0.29
40	40	0.66	0.14	1.90	0.39
50	30	1.00	0.20	2.80	0.57

EU- declaration

We, MAREDO, Rijksstraatweg16, 3956CR. Leersum, Holland, hereby declare fully on our authority, that the product: MAREDO, with serial number as indicated on the machine and in this manual, to which this declaration applies, has been manufactured in line with NEN-EN 292-1, NEN-EN 292-2 and NEN-EN 294, according to the stipulations of The Machine Directive 89/392, updated 93/368/EEG, 93/44/EEG end 93/68/EEG.

Marinus Reincke Maredo BV Holland.

Warranty

This GreenTek product is covered by 2 years parts and labour warranty for commercial use, and 3 months warranty for hire use. This is a genuine 'bumper to bumper' warranty and includes everything except components subject to fair wear and tear such as blades, brushes, belts, bearings, drive splines etc, and damage caused by corrosion, abuse or lack of maintenance.