

# Manual Maredo® GT 250. 04 Counter Rotating Brush.

Serial #

## **IMPORTANT NOTE:**

The required (hydraulic) power depends on the working depth, soil conditions, working speed etc. The condition of the triplex greensmower and the ambient temperature determine the available capacity. Everybody should check the greensmower during work if it isn't overloaded by checking the heat built up and take the correct measurements . MAREDO DOES NOT TAKE ANY LIABILITY FOR GREENSMOWER DAMAGES.



Note:

**For a safe operation it is essential, that the operator reads and understands the manual of the Maredo machine.**

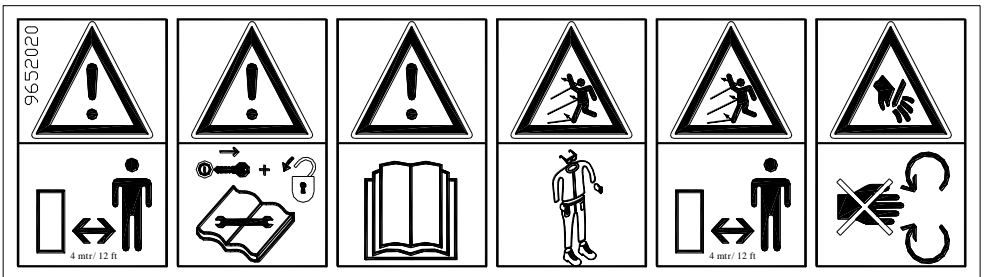
MAREDO BV, RIJKSSTRAATWEG 16, 3956 CR LEERSUM, HOLLAND.

[WWW.MAREDO-BV.COM](http://WWW.MAREDO-BV.COM).

EN 1250

# **SAFETY INSTRUCTIONS.**

1. Never **disconnect or shortcut any of the safety devices.**
2. Every **MAREDO user must be fully informed** and understand the safe use of the MAREDO machine.
3. **Inspect the ground,** where the MAREDO machine is to be applied. Remove loose obstacles, avoid uneven areas.
4. **Drive carefully** during work and during transport.
5. Ensure that **other people are standing at least 4 mtr./ 12 ft away** from the MAREDO machine during work and transportation.
6. **Use appropriate clothing.** Wear strong shoes with steel enforced toe caps, long trousers, gloves, tie up long hair and use protection glasses for the eyes.
7. **Never overload** the MAREDO.
8. **Check the MAREDO minimal once a week,** to ensure there are no loose bolts and nuts. Check for damages too and repair it.
9. The MAREDO **may never be used without protection covers** and safety decals.
10. **Use only original MAREDO spare parts,** in order to ensure the safe operation of the machine.
11. **Never use the MAREDO** in the dark, in heavy rains, on frozen grounds, stony conditions and/ or on slopes steeper than 30 degrees.
12. **Maintain a log book** of repairs
13. Be aware that **changes to the MAREDO,** releases MAREDO from any CE regulations.



## **FOREWORD.**

Congratulations with the purchase of your MAREDO®. To ensure the safe and long lasting operation of the MAREDO machine, you and anyone using the machine, should read and understand this user's manual.

Also ensure that you understand and practice the safety rules, as described in this manual.

*This MAREDO machine is delivered accomplished by a guarantee against material and assembly errors. This guarantee applies for a period of 12 months, as from the date of purchase.*


## **TECHNICAL SPECIFICATIONS:**

Model	: GT 250 REV 04
Working width	: 520 mm/ 22" per head.
Working depth	: +/- 10 mm. +/- 3/8"
Driving speed	: 0.5- 4.0 km/h 0.5 – 3 mph
Weight	: 35 Kg/ 77 lbs (with collecting bag)
Grease in gearbox	: Grease EP 0/1 first time next EP 1/2
Brush hairs size	: Diameter 1 mm
Rotation direction	: Counter rotating.
Collecting bag	: Standard, max load capacity 18 kg/ 40 lbs.

## **EU- declaration.**

We, MAREDO, Rijksstraatweg16, 3956CR. Leersum, Holland, hereby declare fully on our authority, that the product:

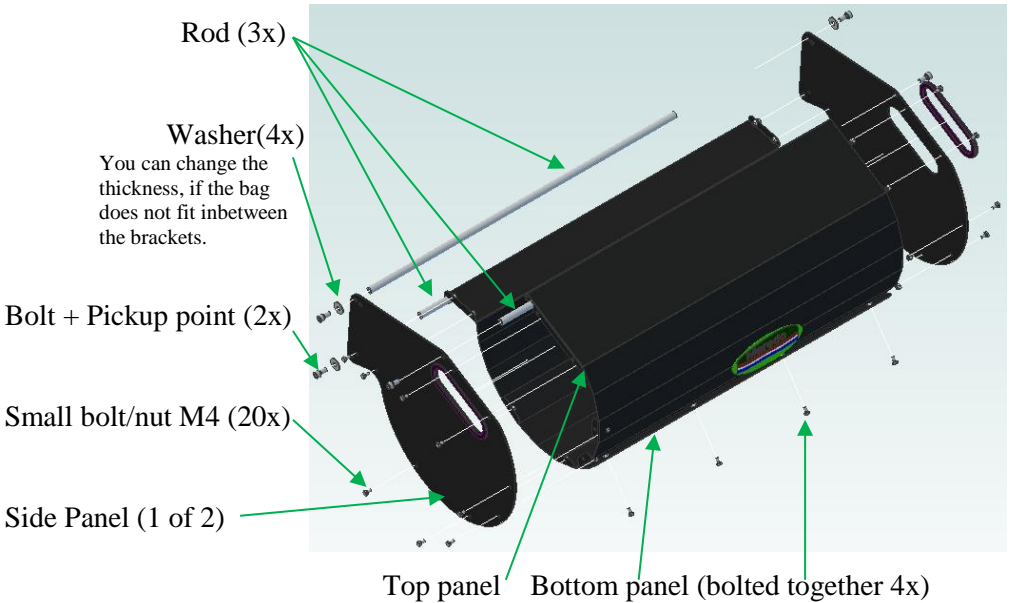
MAREDO GT 230, with serial number as indicated on the machine and in this manual, to which this declaration applies, has been manufactured in line with NEN-EN –ISO 14121-1:2007, according to the stipulations of The Machine Directive 2006/42/EG.



Marinus Reincke Maredo BV Holland.

## ASSEMBLING THE COLLECTING BAG.

The collecting box needs to be assembled. All parts are packed in the same box as the base machine. The assembly is straight forward, see the picture hereunder. Bolt all parts together and you are ready to go. If the collecting bag fits too tight in the brackets of the GT head, you can exchange the washers at the side for thinner one.



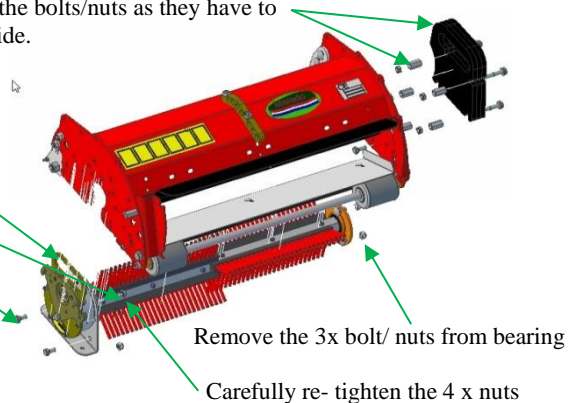
## CHANGING DRIVE SIDE.

Sometimes the drive side has to be changed from left to right or visa versa. For the GT 180-190 and 250 (the ones with a gearbox), the whole shaft has to be de-mounted, rotated and re-mounted, as you can see in the picture hereunder. Carefully with the assembly. Don't create any stress on the gearbox. Be sure the shaft rotates easily!!

Remove the side weights with all the bolts/nuts as they have to be re-positioned at the opposite side.

Don't open the gearbox !

Remove the 4 nuts at the rear +  
The 2 x bolts at the bottom



## **SOME TIPS/ RECOMMENDATIONS.**

1. Do not set the brushes too tight at the ground. Damage to the turf or machines may be the result.
2. Our collecting bags are Heavy Duty, as some people use them for collecting cores or sand.
3. Play with the engine rpm's of your triplex. As our brush is so efficient, sometimes the collected material is thrown over the collecting bag. Reduce the engine rpm's and/ or adjust the top guide plate.
4. Just in front of the brush just above the turf, there is the bottom collecting/ guide plate. This plate helps to guide the swept material into the collecting bag. The plate is adjustable. Normally it should set at appr 5 mm, 1/4" from the ground, but if cores are to be collected, you may need more.
5. It is also possible to remove the whole bottom guide plate. This can be advantageously, e.g when it is (very) wet and the material sticks on this guide plate.
6. The top guide plate helps to guide the material into the collecting bag as well. It can be re-positioned, in case the material isn't guided well.

## **MAINTENANCE.**

- A. Clean the head regularly. **Be very careful with high pressure water cleaners**, as they can ruin your bearings, paint and gearbox. It is much better to use regular water and/ or air.
- B. **Grease the gearbox every 50 hours with 2 shots EP2**, the regular grease from your greasegun. **DO NOT OVER-GREASE**. Too much grease will overheat the gearbox and the grease may be pushed out and start leaking on your turf. When the gearbox is overhauled, **it should be filled with EP 0/1 grease the first time** (40 grams). This is a much thinner grease.
- C. The brush elements can be easily replaced. Don't take the whole shaft apart.

## USER NOTES.

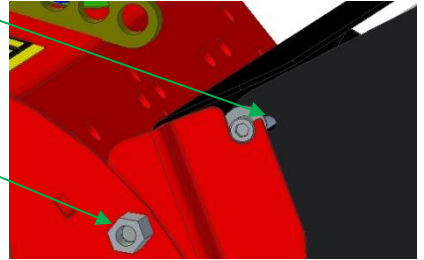
The brushes counter rotate, which works very efficiently in collecting all kinds of materials ( tree-needles, sand, cores etc). It will also brush up your dense turf, collect/ remove the POA seeds and remove dew from your green. It is the most efficient collecting/ topdress brush for your triplex greensmower.

There are two positions for the collecting bag, in case the ground clearance isn't enough or you need more space for the TORO 3100 roller.

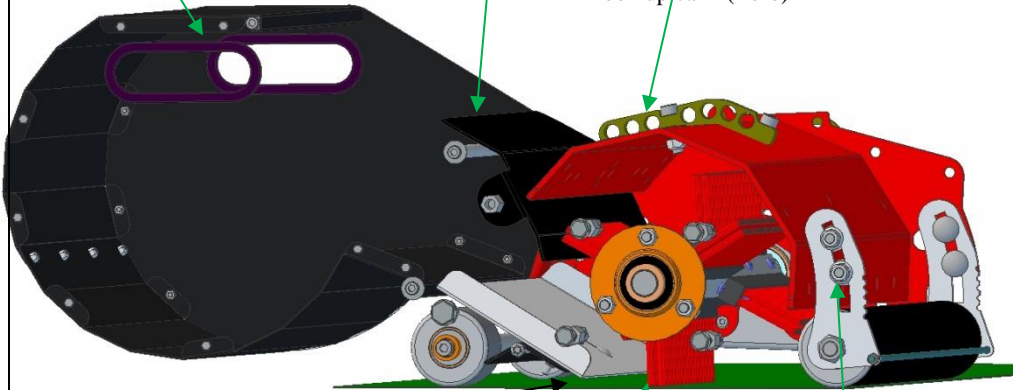
This high nut is needed in case a U bracket is mounted for the Jacobsen or John Deere triplex kit.

Adjustable Top guide plate, which guides the material in the bag

Heavy Duty collecting bag



Hook up/cam (Toro)



Adjustable Bottom guide plate, adjust/slide it till appr. 5 mm, 1/4" above the turf.

The counter rotating brushes should NOT touch the turf unless you want to bush up your dense turf

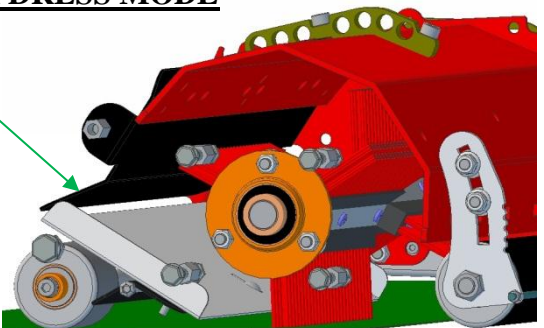
Adjust the working depth evenly via the rear roller (2x 2 nuts)

## SETTING IT INTO THE TOPDRESS MODE

The GT250 Counter Rotating brush is an ideal machine to brush in your topdress material.

The top guide plate should be re-mounted in a mirrored position, like on this picture CAREFULLY SET THE DEPTH, so that no all sand is brushed off.

Part of the topdress sand should be picked up, moved over the bottom guide plate, against the top guide plate back into the turf (holes). As the head moves forward, it is a continuous process, trying to get the sand in the turf.

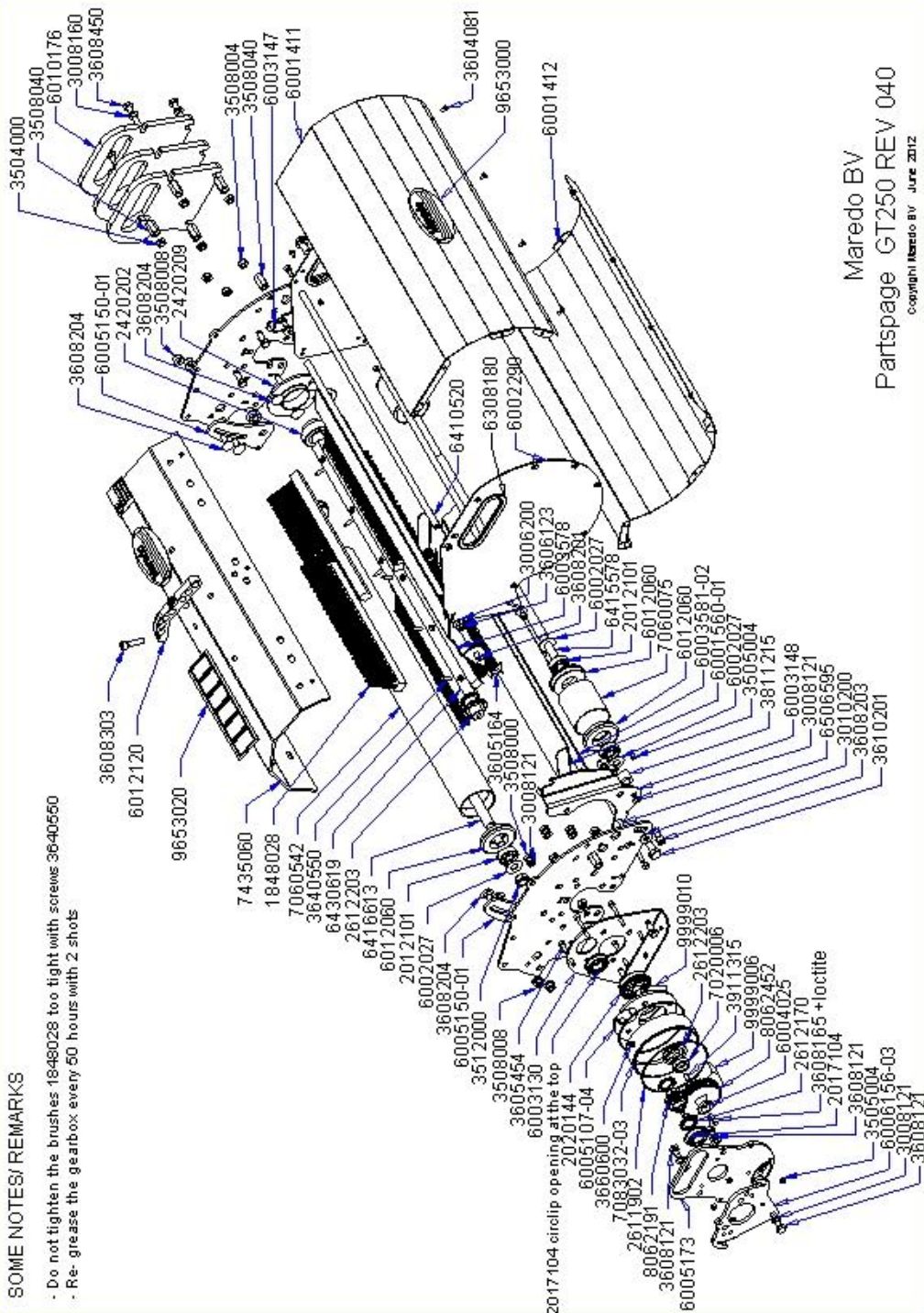




Part Number + Name	GT 250 Brush REV 040	Quant.
1848028-00 Brush element L270 d1 H65 250		6
2012101 Bearing 6201 2RS		2
2017104-01 Bearing 6003 2RS NR with cut circlip		6
2020144 Bearing 6204 2RS NR		1
2420202 Bearing SB 204		1
2420209 PF 204 housing		1
2611902-01 O Ring 90 x 2 gearbox GT		2
2612170 Nilos seal 6003 AV		2
2612203 Nilos seal 6204 AV		2
3006200 Large washer M6 DIN 9021		4
3008421 Springwasher M8 6798 A		9
3008160 Washer M8 DIN 125A		2
3010200 Washer M10 DIN 125A		6
3504004 Self lock nut M4 D985		20
3505004 Self lock nut M5 D985		11
3506004 Self made nut M6 985		8
3508000 Nut M8 DIN 934		2
3508004 Self lock nut M8 D985		7
3508008 Self lock nut with washer D6926		4
3508040 Nut M8 DIN 6334		6
3510004 Self lock nut M10 D985		2
3512000 Nut M12 DIN 934		2
3512004 Self lock nut M12 D985		2
3604081 Bolt M4 x 8 DIN 933		20
3605164 Mushroom head bolt M5 x 16 DIN 603		3
3605454 Hex socket screw M5 x 45 DIN 912		6
3606123 Hex socket screw M6x12 8.8 D912 plated		6
3608121 Bolt M8 x 12 4017 S		3
3608161 Bolt M8 x 16 4017 SELF		2
3608165 Tapered hex screw M8 x 16 DIN 7991		1
3608201 Bolt M8 x 20 ISO 4017		6
3608203 Hex socket screw M8 x 20 DIN 912		2
3608204 Mushroom head bolt M8 x 20 DIN 903		7
3608207 Stud M8 x 20 DIN 938		4
3608303 Hex socket screw M8 x 30 DIN 912		2
3608450 Bolt M8 x 45 DIN 931		4
3610201 Bolt M10 x 20 DIN 933		2
3640550 Screw 4,8 x 50 DIN 7981 CH		18
3660600 Grease nipple M6 straight		1
3811215 Distance bush d1x D20 x L15		2
3911315 Key 6 x 6 x 15 DIN 6885 A		1
6001411-00 Interplate Top for collecting bag 250		1
6001412-00 Bottom interplate collecting bag 250		1
6001560-01 Bottom guide plate GT180_250 1150		1
6002027-02 Washer 30-12-1,5 1150		6
6002290-03 Side panel collecting bag GT250		2
6003130-03 Interplate gearbox GT 250 1150		1
6003147-04 Collecting bag support LH GT180_250 1150		1
6003148-04 Collecting bag support RH GT180_250 1150		1
6003578-06 Top guide plate GT180_190_250 black 1150		1
6003581-02 Front roller scraper plate GT180 250 1145		1
6004025-00 Washer 25-8-4 countersunk		1
6004356-05 Side plate GT frame		2
6004591-05 Central bridge for 7435060		1
6005107-04 Inner plate gearbox 250 1150		1
6005150-01 Roller support GT180_190_250 1150		2
6005173-03 End plate with hand grip gearbox 250 1114		1
6006156-03 1114 Hydraulic mount plate 250		1
6010176-02 Counter weight GT block		3
6012060-00 Bearing support front roller GT		6
6012120-03 Pick up cam for GT D shackle		1
6308180 Rubber U seal for bag 250		2
6410520-01 Rod for collecting bag GT250 1021		3
6415578-00 Front roller shaft GT 250		1
6416613-00 Front roller shaft 6201 GT		1
6430619-02 Main shaft for GT 250		1
6505605-00 Rear roller scraper		1
6506595-00 Threaded rod M6 x 595 GT180-250		1
7020006 Distance washer 27-20-6_5 GT 250		1
7060075-00 Front roller L75 GT 250		2
7060542-02 Front roller GT		1
7083032-03 Gearbox house 25 250 1114		1
8062191-01 Input gearwheel z20 m15 GT 250		1
8062452-01 Gearwheel m15 z45 d45 250		1
9653000-01 Mareo Logo oval decal		2
9653010 CE Decal standard		1
9653018 Grease decal		1
9653020 Safety decal standard		1
9999006-01 GreaseKroon EP0_1 31393 45cc		1
9999010 Silicon liquid gasket paste GT250		1

**SOME NOTES/REMARKS**

- Do not tighten the brushes 1848028 too tight with screws 3640550
- Re- grease the gearbox every 50 hours with 2 shots



Mareo BV  
 Partspage GT250 REV 040

Copyright Mareo BV June 2012



Printer:

8,1 dik, 6,3 op z'n kop dan 4,5 en 2,7